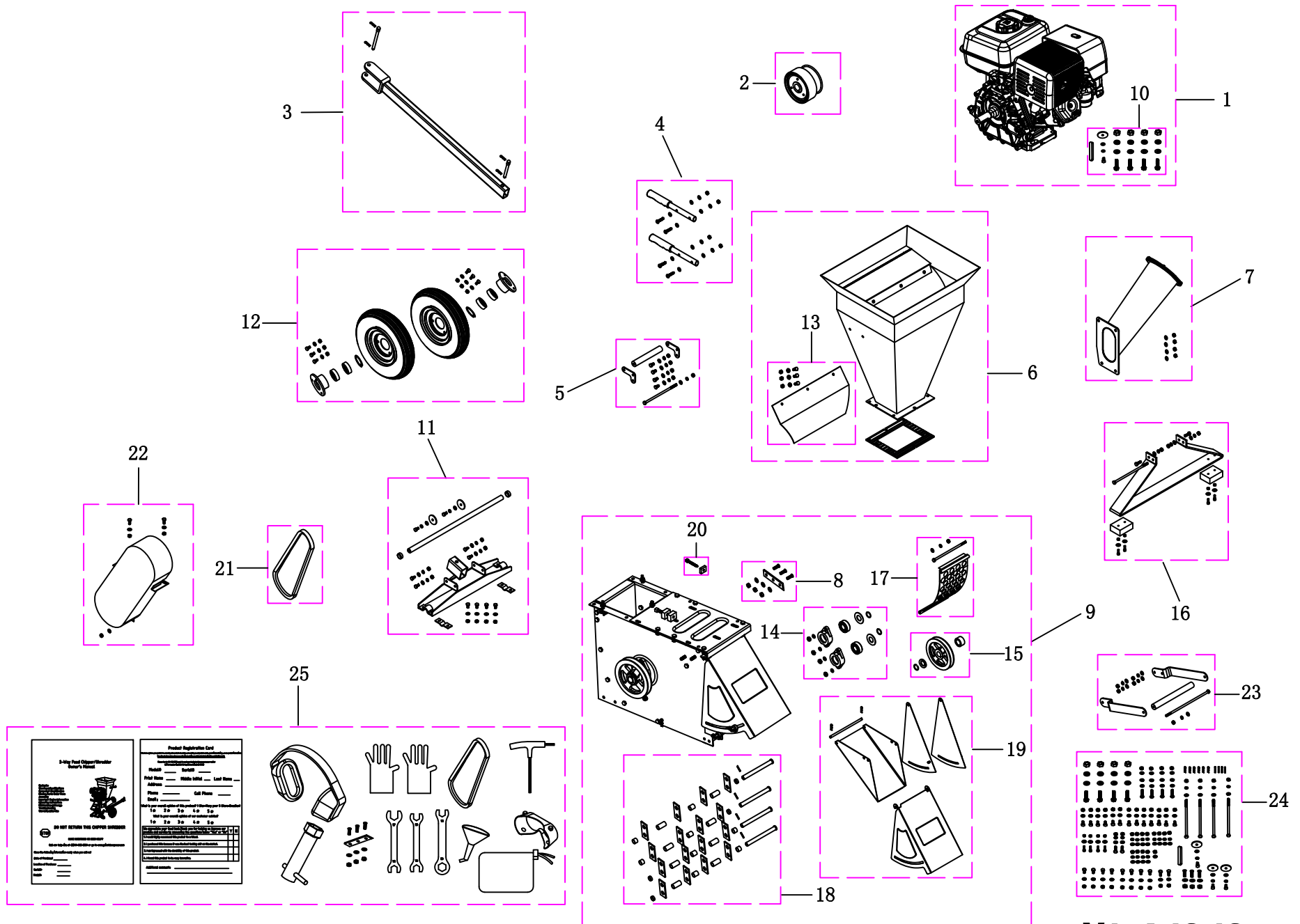
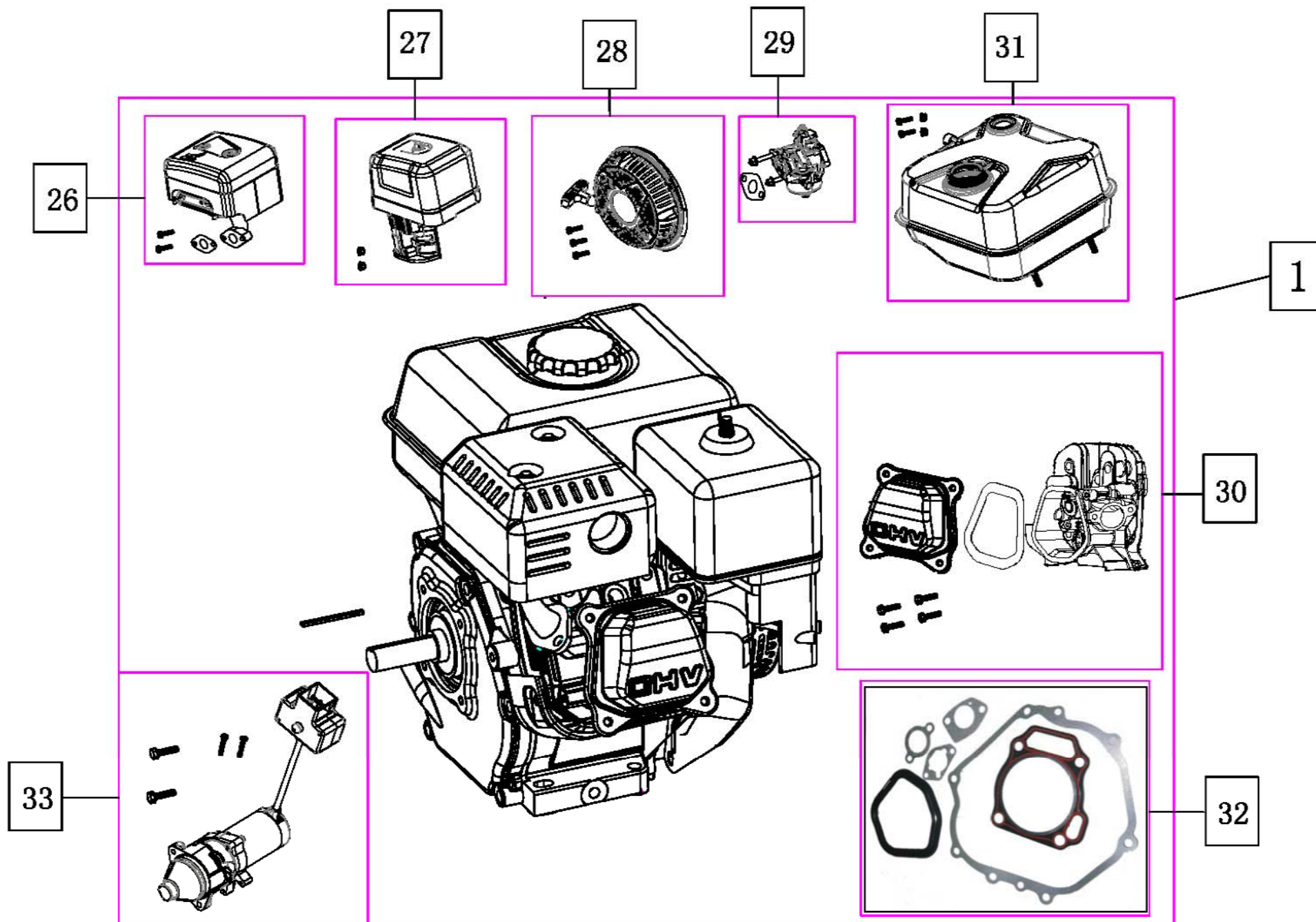


Gxi Commercial Chipper Shredder Exploded View



V1. 4.13.13

Chipper Shredder Engine Diagram



MODEL CH5 - Components Diagram Key

Part #	Part Number	Description
1	E07510	Engine Assembly - 120V ELECTRIC Start (BLACK) - 420cc, 15 hp Stanley Chipper Shredder Model CH5
2	C00306	Clutch Assembly
3	C03011	Tow Bar (BLACK)
4	C03511	Handleset on funnel (GREY)
5	C05018	Back Handle on chipper shredder carousel (GREY)
6	C04512	Top Funnel Assembly (BLACK) including the funnel and black/white cover inside (includes labels)
7	C02309	Side Chute (GREY) - Oval Opening (includes labels)
8	C00506	Blade with hardware
9	C03812	Chipper Shredder Carousel - BLACK (no wheels) with ELECTRIC STARTER - includes bearing, hammers, pulley but does not include the blades or clutch
10	Not available	Hardware for engine connect carousel
11	C04813	Chipper Shredder Wheel Axle
12	C00206	One Pneumatic Tire Wheel
13	Not available	Plastic Cover for the funnel
14	C02409	Bearing Assembly - GREY (includes two bolts)
15	C00406	Chipper Shredder Pulley
16	C04918	Chipper Shredder Wheelbase - GREY (includes base, bolts for carousel)
17	C02510	Chipper Shredder Screen
18	Not sold separately	Flail Hammers
19	C01909	Discharge Chute Assembly including pins (GREY)
20	C03311	Engine Belt Tension Block and Bolt
21	C01406	v-Belt for Chipper Shredder
22	C02810	Belt Guard (BLACK)
23	C04713	Front Handle on chipper shredder carousel
24	Not available	Hardware for chipper shredder
25	C02910	Hardware Bag - Spare blade, chip collection bag, goggles, ear protection, oil fill funnel, spark plug wrench, t-handle hex wrench, wrench 13mm close and open, 17mm and 13mm both open, 10mm and 8mm both open, spare V-belt, Owner's manual, registration card
26	Not available	Muffler Assembly - 390cc, 401cc, 420cc - EPA approved The muffler assembly includes the muffler, muffler cover, exhaust pipe, bolts, and gaskets.
27	E01911	Air Filter Assembly - 390cc, 401cc, 420cc The air filter assembly comes with all the components ready to be assembled. The module includes filter cover, filter media, housing, bolts, and fuel line. This new air filter must ship with breather vent capped with a rubber plug. A label is placed on it.
28	E07109	Recoil Assembly (BLACK) - 401cc, 420cc
29	E04310	Carburetor Assembly - 420cc The carburetor assembly includes the carburetor, choke shaft, heat shield, and gaskets. Simply install the carburetor assembly onto the engine head with two bolts.
30	E02210	Cylinder Head Assembly - 420cc The cylinder head assembly includes the engine head, engine head cover, heat shield, push rods, carburetor mounting stud gaskets, and bolts. The cylinder head can be easily installed to the engine with several bolts.
31	E07011	Fuel Tank Assembly (BLACK) - 390cc, 401cc, 420cc (Sealed and tethered cap with rollover valve installed) 1.584 gallon fuel tank The fuel tank assembly (includes tank, shut-off valve, fuel filter, fuel cap) is completely assembled and ready to be connected to the carburetor.
32	E04606	Engine Gaskets Set: 390cc, 401cc, 420cc
33	E09711	Engine Start Assembly (120V)
34	E06206	Oil Fill Plug